

Sheet: interface

File: interface.sch

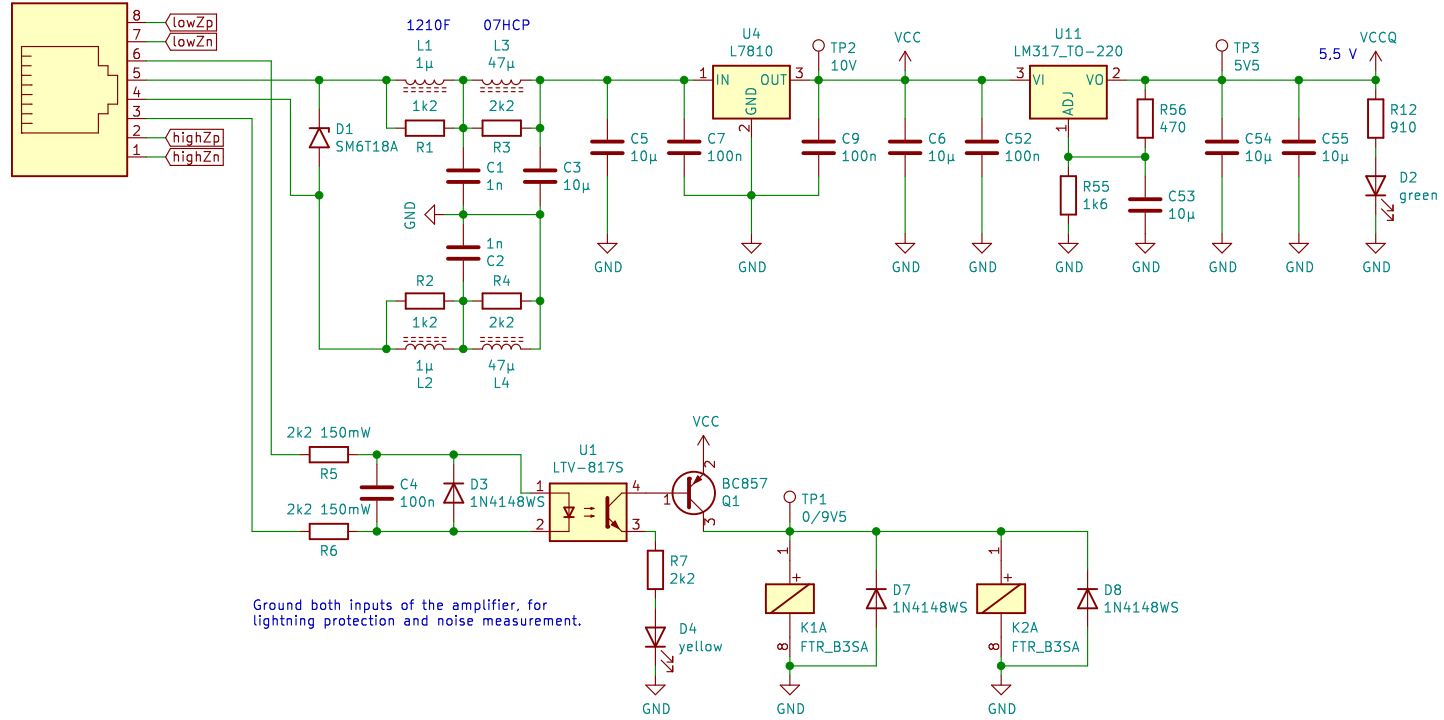
Sheet: eFieldAmp

File: eFieldAmp.sch

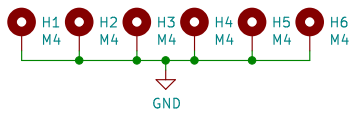
Sheet: hFieldAmp

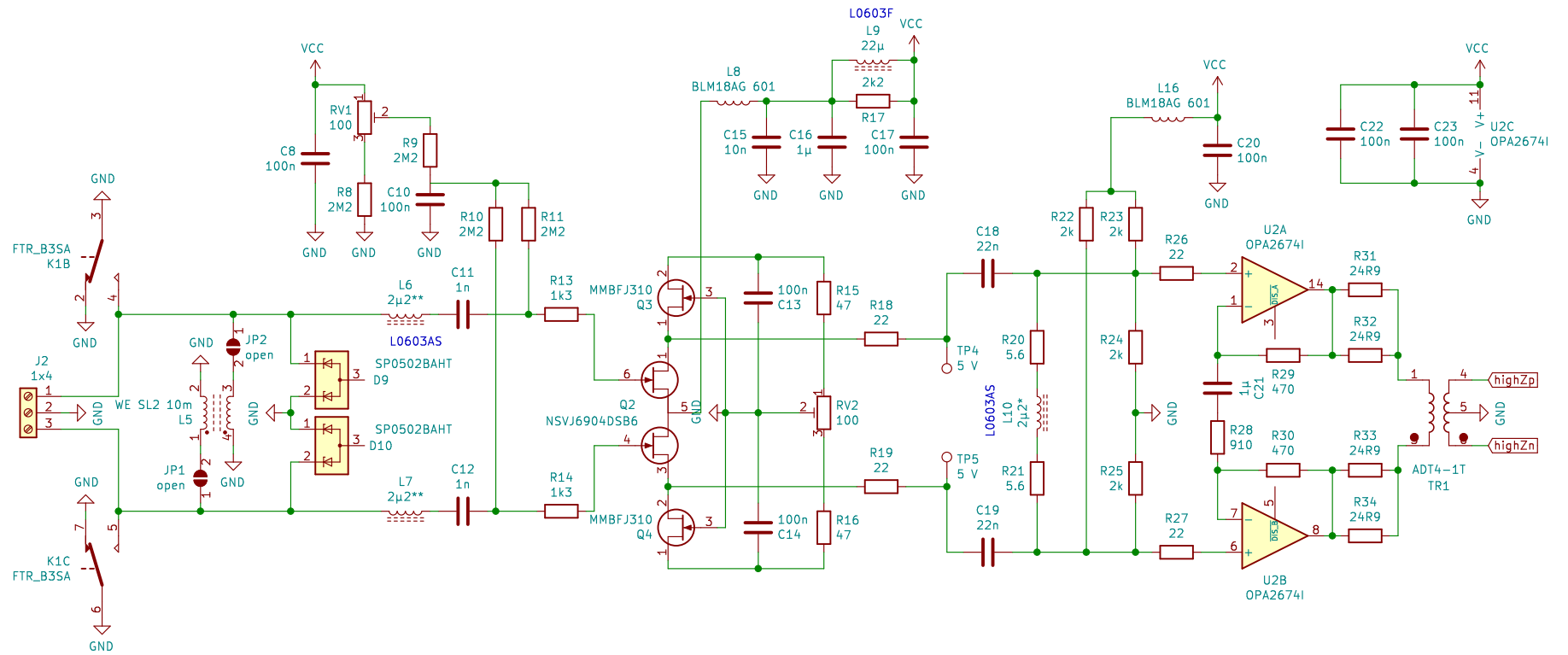
File: hFieldAmp.sch

J1  
8P8C Wuerth\_7499010001A

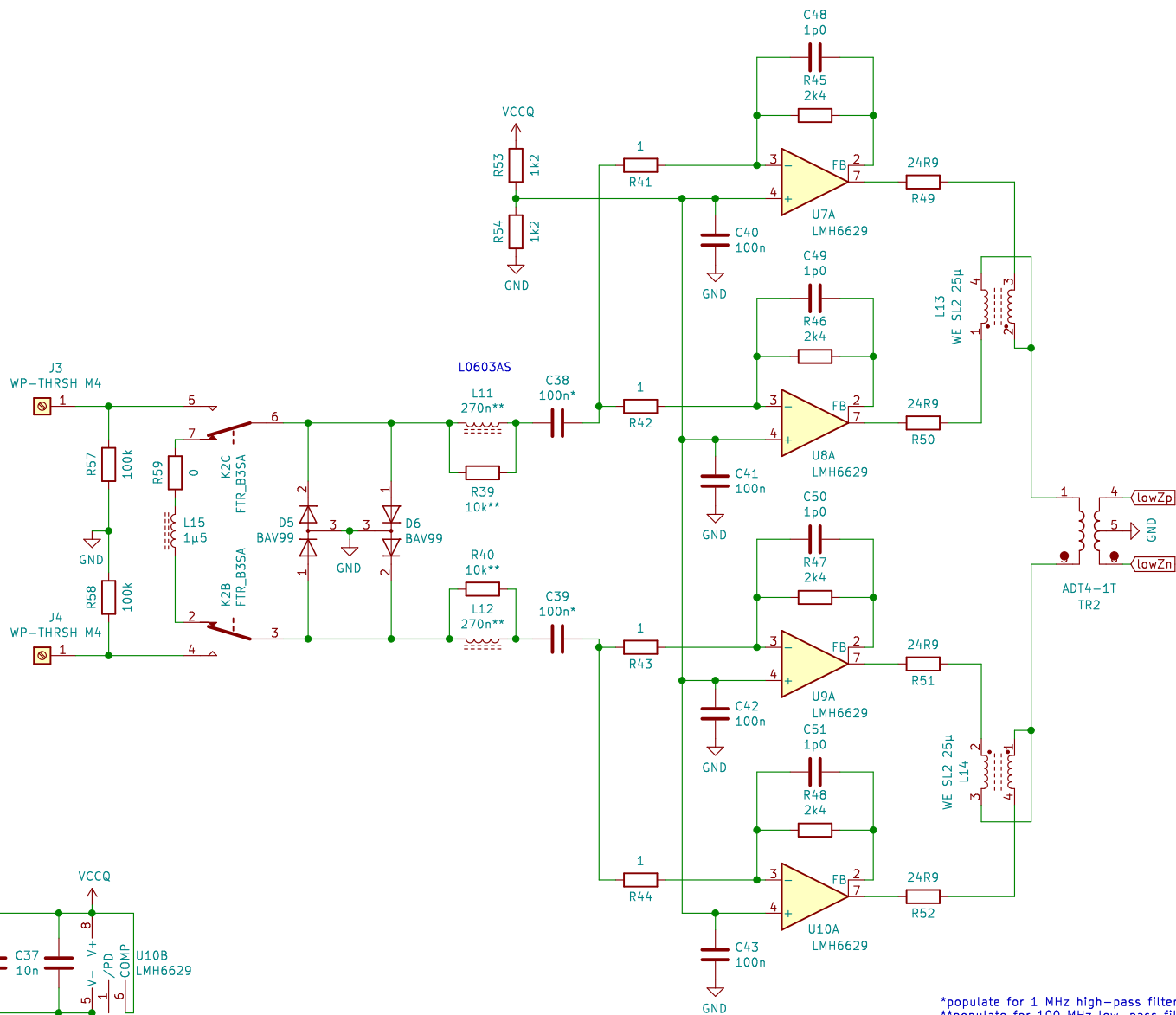


Ground both inputs of the amplifier, for lightning protection and noise measurement.





\*populate for 1 MHz high-pass filter  
 \*\*populate / unbridge for 100 MHz low-pass filter



\*populate for 1 MHz high-pass filter  
 \*\*populate for 100 MHz low-pass filter, otherwise bridge

