

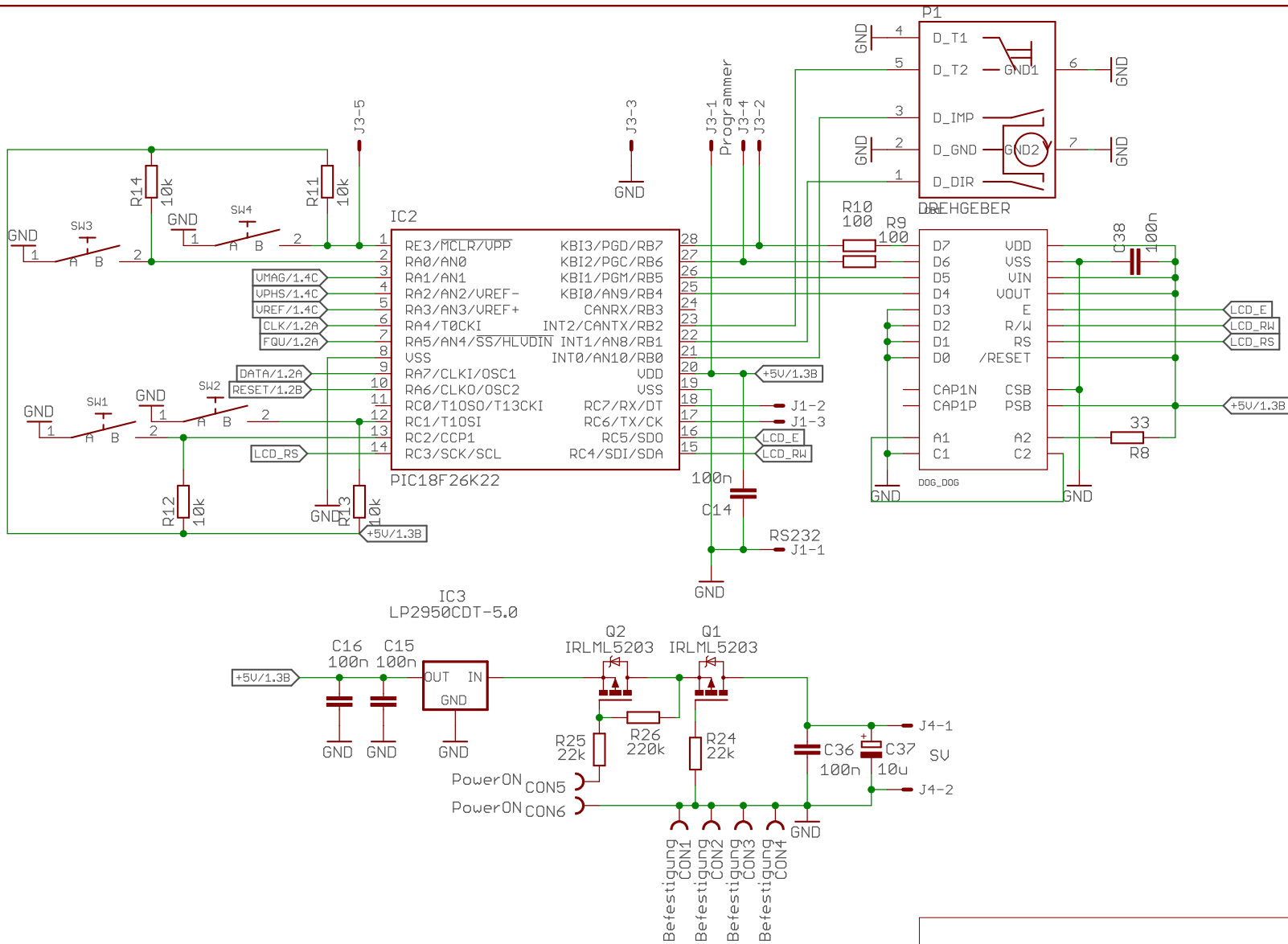
TITLE: mc\_koppler\_1

Document Number:

REV:

Date: 17.11.16 08:53

Sheet: 1/2



TITLE: mc\_koppler\_1

Document Number:

REU:

Date: 17.11.16 08:53

Sheet: 2/2